

STANDARD TEMPERATURE ROOF FANS

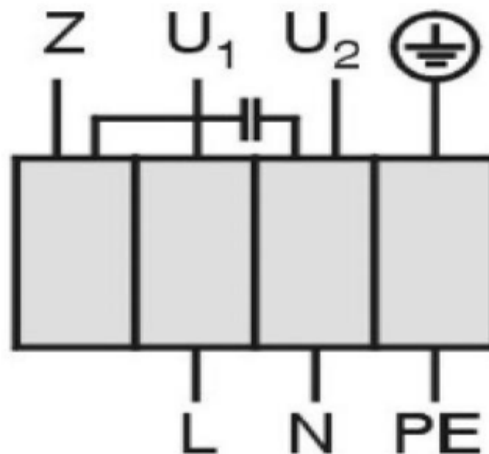
WIRING DIAGRAMS - HR-VR-1

From size 190 mm to 310 mm (HR & VR ranges)

Single phase A.C. motor with operating capacitor and thermostatic switch.

Thermostatic switch internal wired in series with windings.

- U₁ Blue
- U₂ Black
- Z Brown
- PE Yellow Green



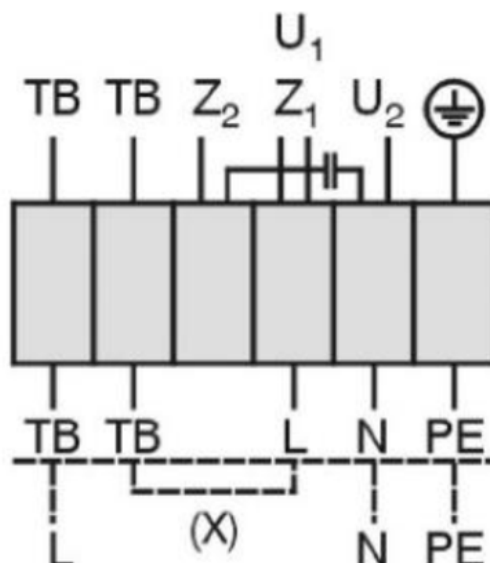
From size 355 mm to 500 mm (HR ranges)

Single phase A.C. motor with operating capacitor and thermostatic switch.

Thermostatic switch wired in series with windings if RE controllers are used.

Insert bridge (x) and wire connections shown as dash-line on the drawing.

- U₁ Brown
- U₂ Blue
- Z₁ Black
- Z₂ Orange
- TB White
- PE Yellow Green



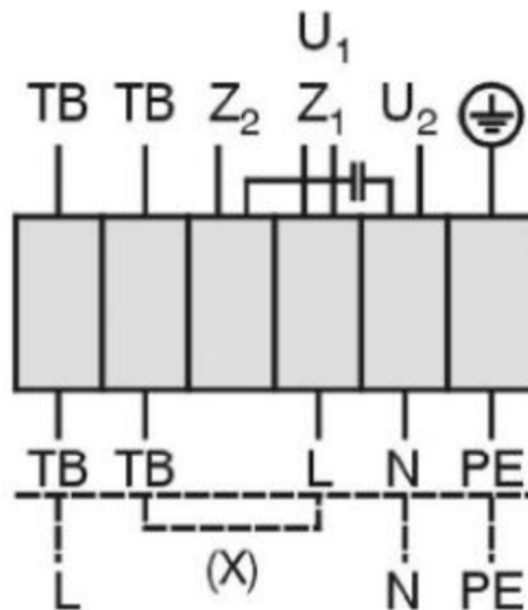
STANDARD TEMPERATURE ROOF FANS

WIRING DIAGRAMS - HR-VR-1

From size 355 mm to 500 mm (VR ranges)

Single phase A.C. motor with operating capacitor and thermostatic switch.
 Thermostatic switch wired in series with windings if RE controllers are used.
 Insert bridge (x) and wire connections shown as dash-line on the drawing.

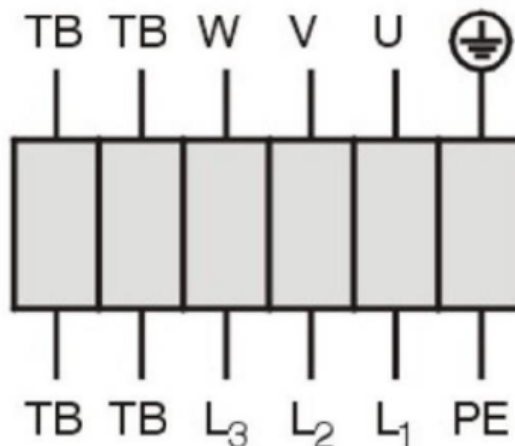
- U₁ Brown
- U₂ Blue
- Z₁ Black
- Z₂ Orange
- TB White
- PE Yellow Green



From size 310 mm (HR & VR ranges)

Three phase motor with thermostatic switch (TB).
 Changing of rotation direction by interchanging of 2 phases.

- U Brown
- V Blue or Grey
- W Black
- TB White
- PE Yellow Green



STANDARD TEMPERATURE ROOF FANS

WIRING DIAGRAMS - HR-VR-1

From size 355 mm to 630 mm (HR ranges) & to 800 mm (VR ranges)

Three phase motor in delta connection with thermostatic switch (TB).

Changing of rotation direction by interchanging of 2 phases.

- U₁ Brown
- V₁ Blue
- W₁ Black
- U₂ Red
- V₂ Grey
- W₂ Orange
- TB White
- PE Yellow Green

