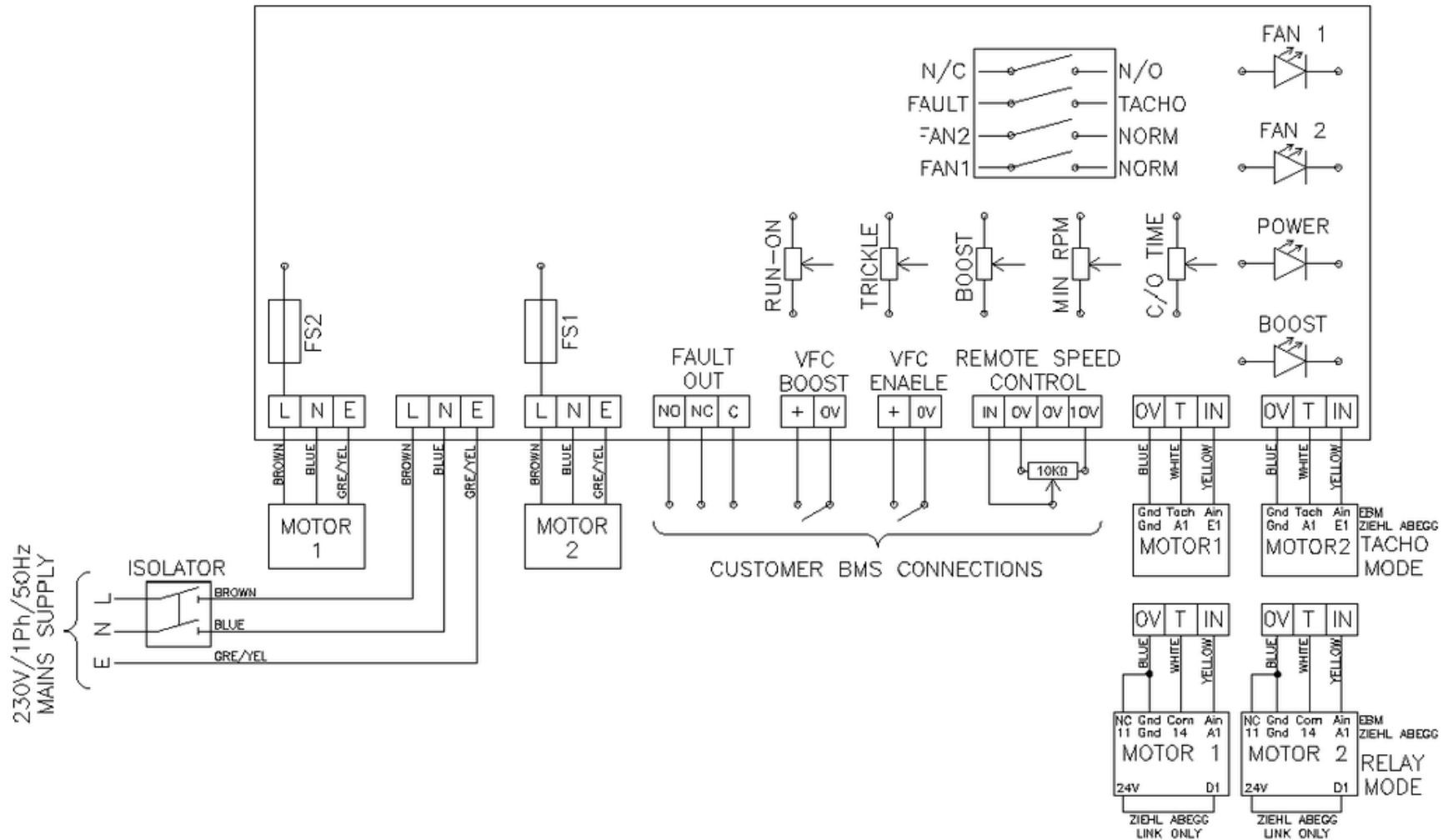


# WOODS EC BOX FANS

## WIRING DIAGRAM - 4044



# WOODS EC BOX FANS

## WIRING DIAGRAM - 4045

