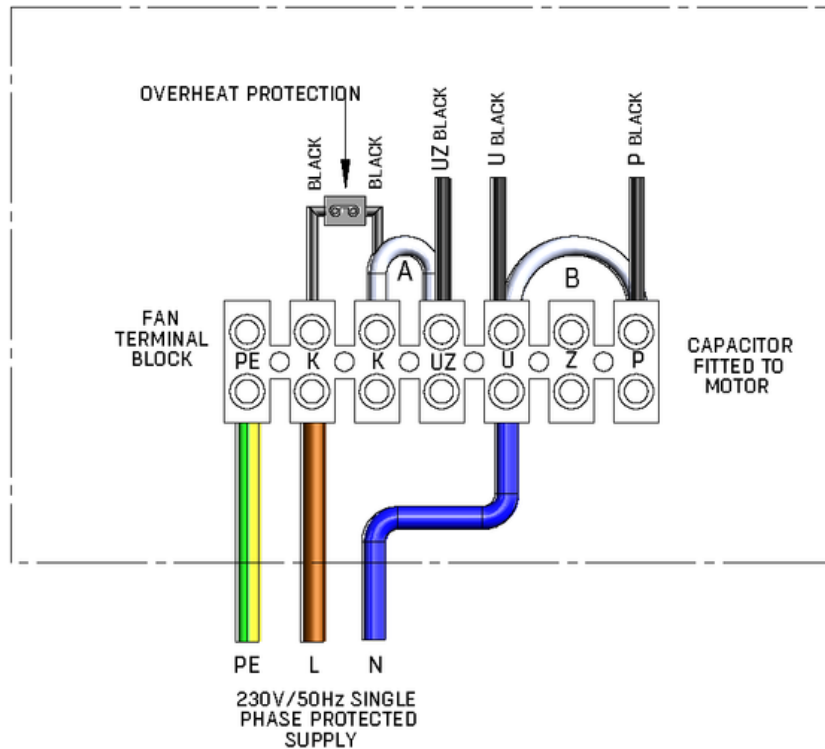


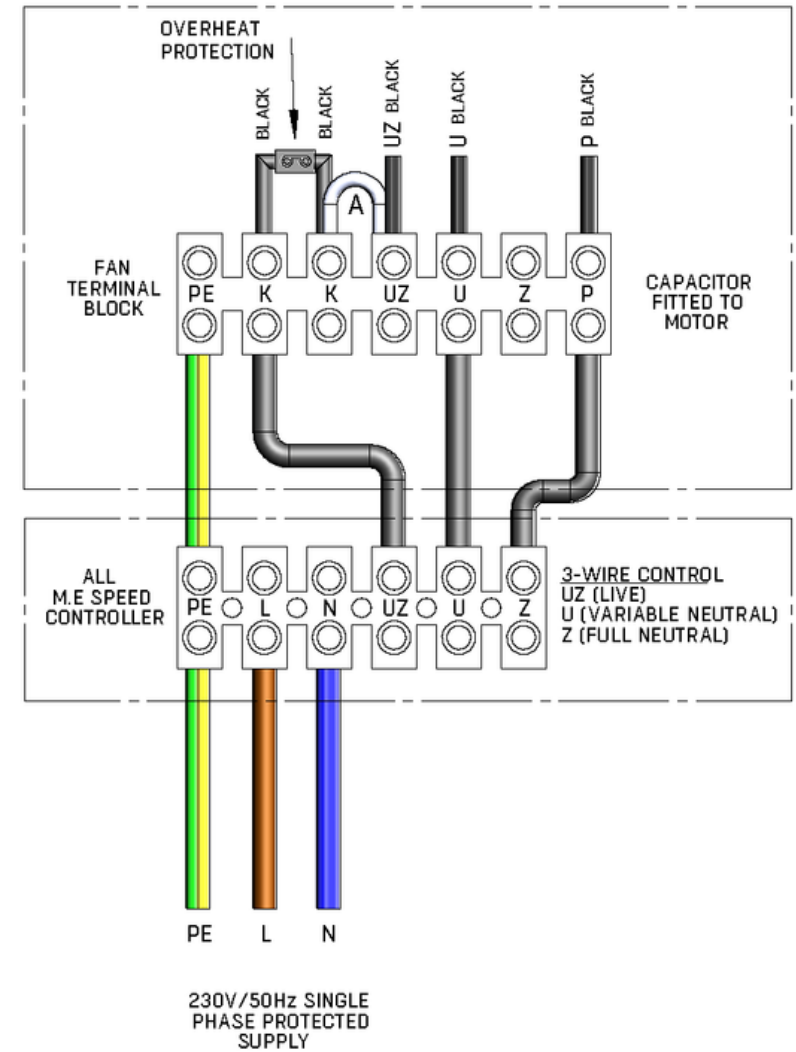
315-500 1PH JM

WIRING DIAGRAM - 3038

SINGLE PHASE FAN WITH INTERNAL CAPACITOR AND OVERHEAT PROTECTION



FAN CONNECTED TO SUPPLY (FULL SPEED)



FAN CONNECTED TO SPEED CONTROLLER (VARIABLE SPEED)