

Quotation Number	:	Project Code	:
Project Name	:	Customer	:
Item Reference:	:	Date:	: Thursday, March 24, 2022

Fan Code ePowerBox EC 67-450-1-4 (G.5FA)
 Fan Diameter / Size 450
 Velocity 6.7 m/s
 Form of Running B (Horizontal)

Requested Duty (10V) 1.06m³/s @ 579 Pa (static)
 Actual Duty 1.06m³/s @ 582 Pa (static)
 Control Adjustment 10V
 Outlet Dynamic Pressure 27 Pa

Input Power 1.06 kW
 Full Load Current 4.63 A

Motor Frame Integral [Class F]
 Motor Rating 1.03 kW (Maximum Power)
 Electrical Supply 220-240 Volts ±10% 50 Hz 1 Phase

Regulation 1253/2014
 UVU Efficiency 60.5%
 UVU Target Efficiency 42.1%
 Nominal Flow Rate 1.37 m³/s @ 445 Pa
 Effective Input Power 1.02 kW
 Nominal RPM 1550 rpm

Air Density 1.2 kg/m³ / 20 °C / 0 m / 50% RH
 Product Number BE450015

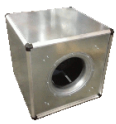
Acoustic figures for adjusted running speeds have been interpolated and are for reference only.

This Offer is made subject to the latest version of our A100-19 Terms and Conditions, a copy of which can be made available on request. Our lead times will be re-confirmed on receipt of manufacturing release and may be subject to change.

	Sound Spectrum (Hz)								Overall	
	63	125	250	500	1k	2k	4k	8k	Lw*	LpA @ 3 m**
Inlet*	68	75	77	71	67	65	62	59	80	53
Outlet*	72	81	80	78	75	71	64	63	85	59
Breakout*	64	69	64	50	45	42	37	27	71	37

* Lw dB re 10⁻¹² W
 ** dBA re 2x10⁻⁵ Pa
 Sound data at requested duty.

Description	Qty	Nett Unit Price	Price
Fan BE450015 - ePowerBox EC 67-450-1-4 (G.5FA)	1	enquire	enquire
Accessories			
TOTAL PRICE (Fan / Accessories / Controls)			enquire
Optional Controllers & Sensors	Optional Accessories		

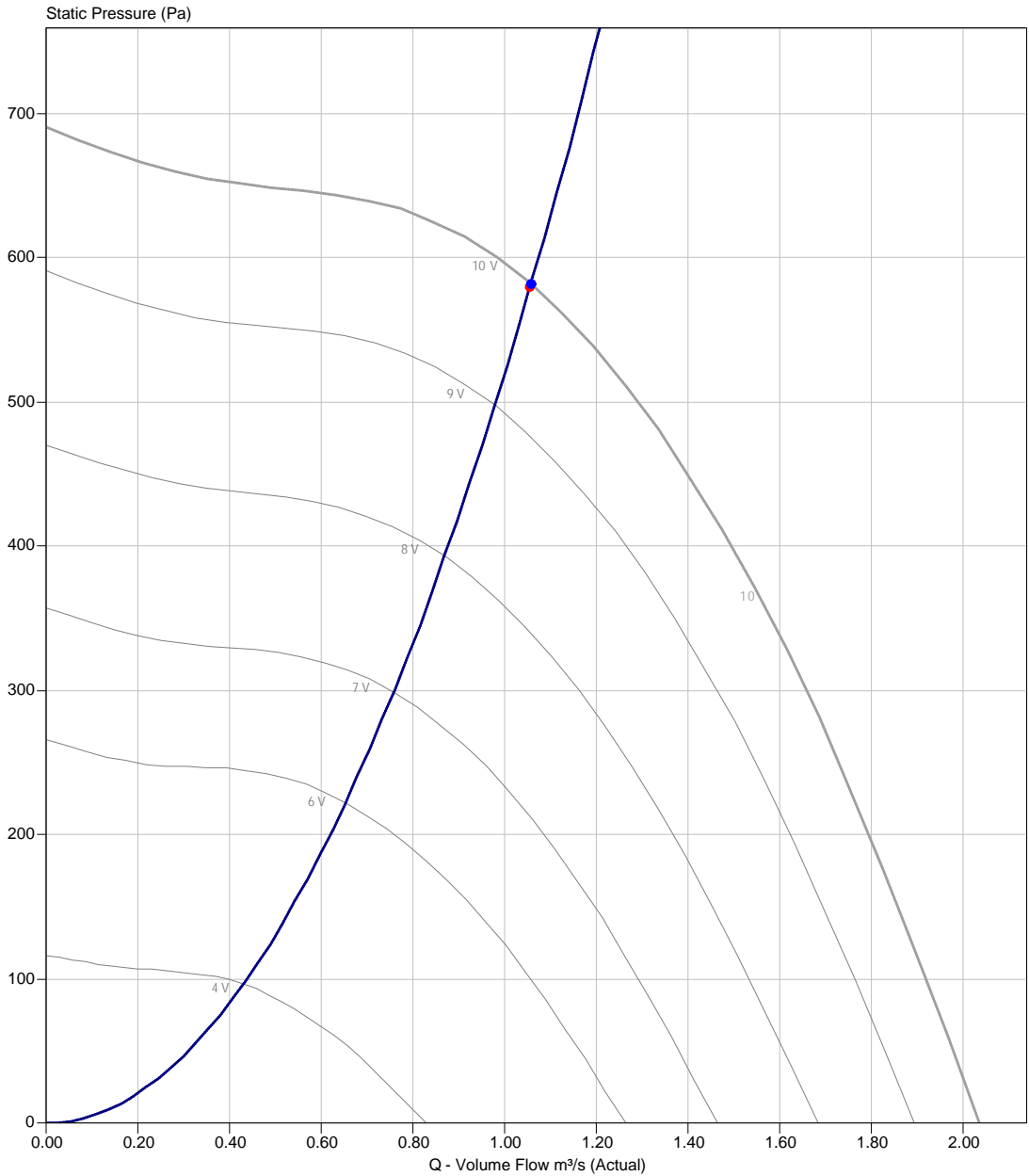


Woods Air Movement

Performance Chart Estoc
EC - Powerbox



Quotation Number	:	Project Code	:
Project Name	:	Customer	:
Item Reference:	:	Date:	: Thursday, March 24, 2022
		Fan Code	: ePowerBox EC 67-450-1-4 (G.5FA)



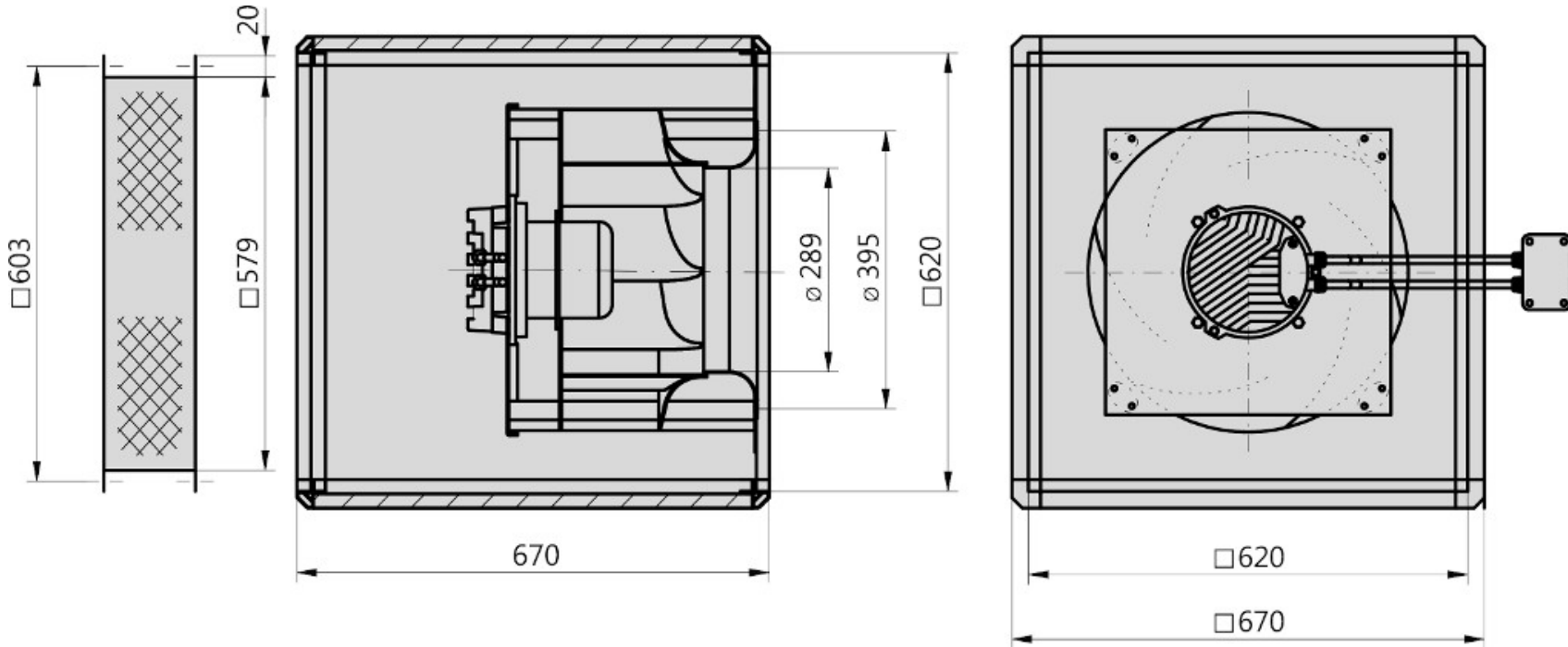


Woods Air Movement
 Drawing and Dimensions
 Estoc EC - Powerbox



Quotation Number :
 Project Name : ML
 Item Reference: :

Fan Code : ePowerBox EC 67-450-1-4 (G.5FA)
 Customer :
 Date: : Thursday, March 24, 2022



Notes : Dimensions shown in mm / Weight in kg

Reference : Catalogue drawing

This drawing shows dimensions that should be used as a guide only and are subject to change. Certified drawings are available on request.

Axial Way
 Colchester, ESSEX,
 Tel: Fax:

Website:
 Email: matthew.lewis@flaktgroup.com
 Copyright Fläkt Group 2003 - 2020